



► Model G-STR

# Global Series® Signaling Strobe Platform

Federal Signal's patented Global Series® 15 joule and 21 joule strobes feature a high-intensity xenon strobe tube. The housing is made from non-metallic materials designed to serve the demanding needs of offshore marine and land-based industrial applications, and can dramatically reduce the cost of long-term maintenance.

The flameproof "Ex d" versions come standard with two (2) M20 entries. The increased safety "Ex de" versions include a separate terminal chamber for quick field termination or pass-through wiring, and include three (3) M20 entries in a standard configuration.

The Global Series Strobe can be combined with all other Global Series audible and visual products in several custom configurations. Custom configurations can be ordered directly from the factory. Optional coupling kits, which allow limited field fixturing, are available.

## FEATURES

- Available in 24VDC, 120VAC and 220-240VAC 50/60Hz
- Optional 316 stainless steel ratchet adjustable mounting U-bracket (field installation required)
- Non-metallic corrosion resistant design
- 24VDC models contain a supervisory diode and four wire terminal block
- For use in alarm control panel applications
- Dome guard included
- M20 entries standard
- Optional indicator rings are available in six colors: Black, Blue, Green, Magenta, Red and Yellow
- Field customizable legend plates available<sup>1</sup>
- Type 4X, IP66 enclosure
- IP69K compliant
- Zone 1, 21 Rated, IECEx, ATEX, Ex d IIC, Ex de IIC and Ex tb IIIC
- UL and cUL Listed for Class I, Division 2, Groups A, B, C and D; Class II, Division 2, Groups F and G; Class III
- UL and cUL Listed for Class I, Zone 1 AEx db IIC T3: Zone 21, AEx tb IIIC T200°C, excludes increase safety versions (Ex de)
- UL Fire Listed (24VDC, Clear 21J Strobe and Sounder only)

| MODEL | OPERATING VOLTAGE  | NOMINAL OPERATING CURRENT |           | LIGHT OUTPUT |        | FLASH RATE |     |
|-------|--------------------|---------------------------|-----------|--------------|--------|------------|-----|
|       |                    | 15J                       | 21J       | 15J          | 21J    | 15J        | 21J |
| G-STR | 24VDC              | 0.83 amps                 | 1.5 amps  | 300 cd       | 500 cd | 60         | 60  |
|       | 120VAC 50/60Hz     | 0.33 amps                 | 0.45 amps | 300 cd       | 500 cd | 60         | 60  |
|       | 220-240VAC 50/60Hz | 0.19 amps                 | 0.34 amps | 300 cd       | 500 cd | 60         | 60  |

### UL/cUL HAZARDOUS LOCATION RATING

| TEMPERATURE CODE AT 70°C               |     |
|--|-----|
| Class I, Division 2, Groups A, B, C, D | T1  |
| Class II, Division 2, Groups F, G      | T4A |
| Class III                              | T4A |

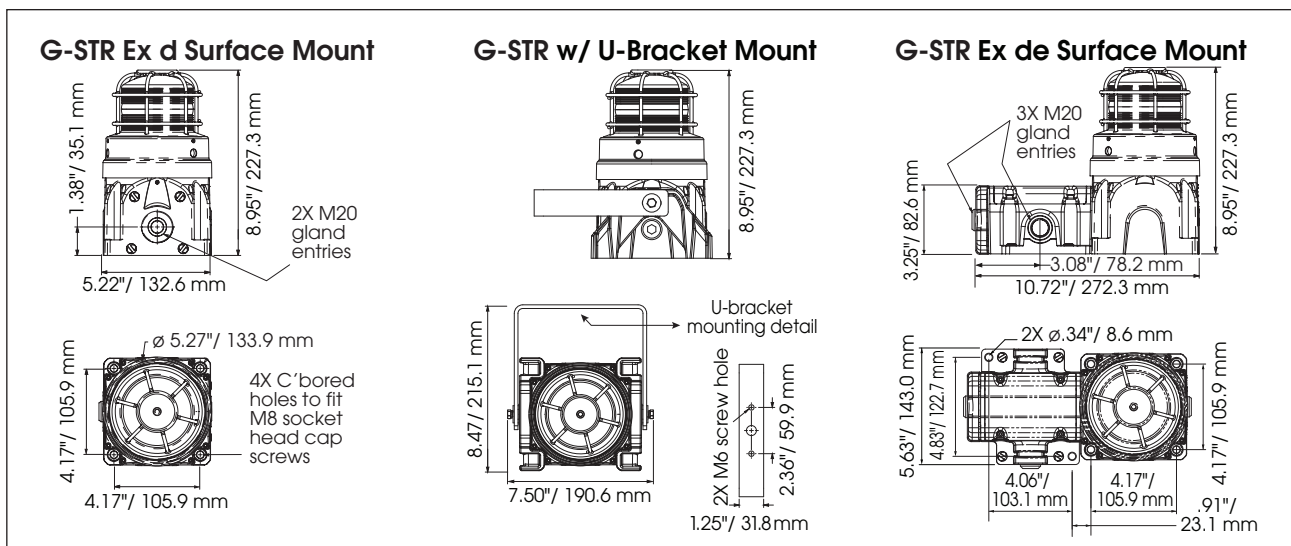
### ATEX/IECEx HAZARDOUS LOCATION RATING

| TEMPERATURE CODE AT 70°C             |            |
|--------------------------------------|------------|
| <b>15J</b>                           | <b>21J</b> |
| T4                                   | T3         |
| UL/cUL HAZARDOUS LOCATION CLASS/ZONE |            |
| TEMPERATURE CODE AT 70°C             |            |
| T3                                   |            |

<sup>1</sup> Recommended labels: BRADY #B-855 Toughwash labels or ULINE #S-16643 weather resistant



# Global Series® Signaling Strobe Platform (G-STR)



## SPECIFICATIONS

|  |   |
|--|---|
| Lamp Life:                               | 10,000 Hours  |
| Light Source:                            | Strobe  |
| Operating Temperature Range:             | -67°F to 158°F      -55°C to 70°C                   |
| 15J ATEX/IECEX Certification Marking:    |   |
| II 2GD Ex d IIC Gb, Ex tb IIIC Db IP66.  | T4 @ 70°C   |
| II 2GD Ex de IIC Gb, Ex tb IIIC Db IP66. | T4 @ 70°C   |
|  | ATEX: Baseefa15ATEX0154X                            |
|  | IECEX: IECEX BAS 15.0103X                           |
| 21J ATEX/IECEX Certification Marking:    |   |
| II 2GD Ex d IIC Gb, Ex tb IIIC Db IP66.  | T3 @ 70°C   |
| II 2GD Ex de IIC Gb, Ex tb IIIC Db IP66. | T3 @ 70°C   |
|  | ATEX: Baseefa15ATEX0154X                            |
|  | IECEX: IECEX BAS 15.0103X                           |
| Guard and External Fasteners:            | 316 stainless steel                                 |
| Terminals:                               | Ex d: 6 way block (3 in, 3 out)                     |
|  | Ex de: 3-pole, 4 position quad pole terminal blocks |
| Cable Entries:                           | Ex d: 2 entries - M20 x 1.5                         |
|  | Ex de: 3 entries - M20 x 1.5                        |
| UL and cUL Certification Marking:        |   |
| Class I, Division 2, Groups A, B, C, D   | T1 @ 70°C   |
| Class II, Division 2, Groups F, G        | T4A @ 70°C  |
| Class III                                | T4A @ 70°C  |
| Net Product Weight                       |   |
| Ex d Surface Mount:                      | 7.17 lbs      3.25 kg                               |
| Ex d U-Bracket Mount:                    | 9.15 lbs      4.15 kg                               |
| Ex de Surface Mount:                     | 9.99 lbs      4.53 kg                               |

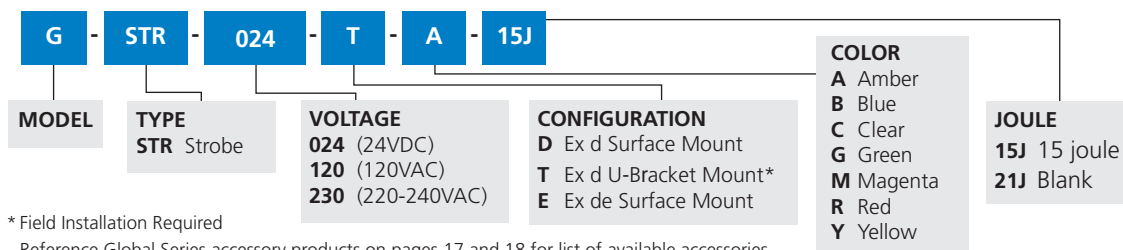
## REPLACEMENT PARTS

| Description                       | Part Number        |
|-----------------------------------|--------------------|
| Lens Guard                        | K859500821-01      |
| Lens, Amber                       | K859500814         |
| Lens, Blue                        | K859500814-01      |
| Lens, Clear                       | K859500814-02      |
| Lens, Green                       | K859500814-03      |
| Lens, Red                         | K859500814-04      |
| Lens, Magenta                     | K859500814-05      |
| Lens, Yellow                      | K859500814-06      |
| Strobe Tube Only                  | K8107177A          |
| Strobe Tube, 15J, PCBA 24VDC Kit  | K859501402-024-15J |
| Strobe Tube, 15J, PCBA 120VAC Kit | K859501402-120-15J |
| Strobe Tube, 15J, PCBA 240VAC Kit | K859501402-230-15J |
| Strobe Tube, 21J, PCBA 24VDC Kit  | K859501402-024     |
| Strobe Tube, 21J, PCBA 120VAC Kit | K859501402-120     |
| Strobe Tube, 21J, PCBA 240VAC Kit | K859501402-230     |

## ACCESSORIES

|   |               |
|---|---------------|
| E-Box Endcap with M20 Opening   | K859500805-02 |
| E-Box Endcap with M25 Opening   | K859500805-01 |
| E-Box Cover Assembly (Includes two terminal blocks, mounting plate, retention hardware) | K859501414    |
| Adapter, M20 Male to 1/2" Female NPT  | K231246A      |
| Adapter, M20 Male to 3/4" Female NPT  | K231247       |

## HOW TO ORDER



\* Field Installation Required

Reference Global Series accessory products on pages 17 and 18 for list of available accessories.

#850000785 Rev. A0